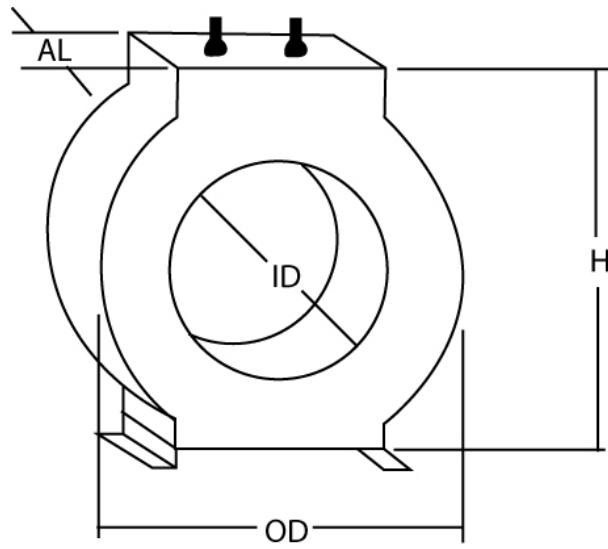


# REP-SERIES Dimensional Details *(All dimensions in mm)*



Frame Size	OD	ID	H	AL
157	198	114	203	57
167	198	114	203	67
254	172	81	178	54
361	147	67	157	61
541	105	52	112	41
641	84	27	92.5	41
TCT800	165	85	177	60
WCT1300	165	114	177	60
SCT200	130	37	137	60
SCT200-45V1	130	45	137	60
SCT200-45V2	110	45	130	53